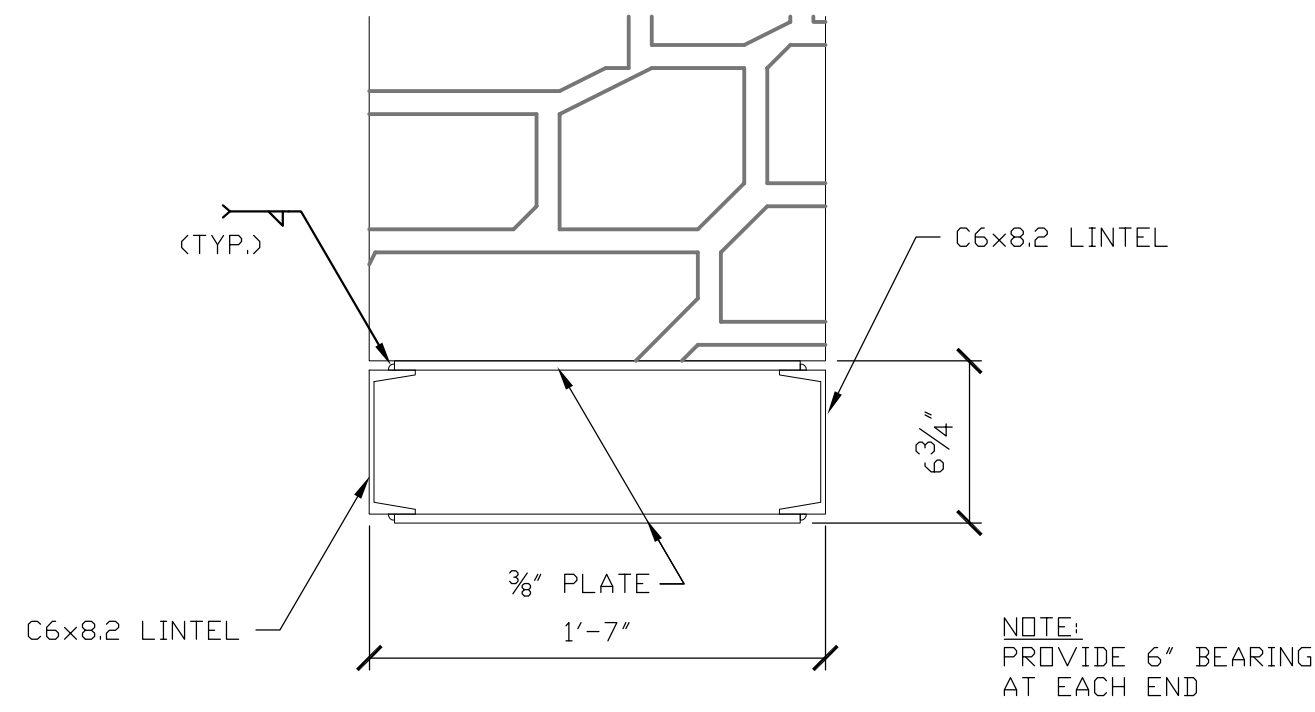
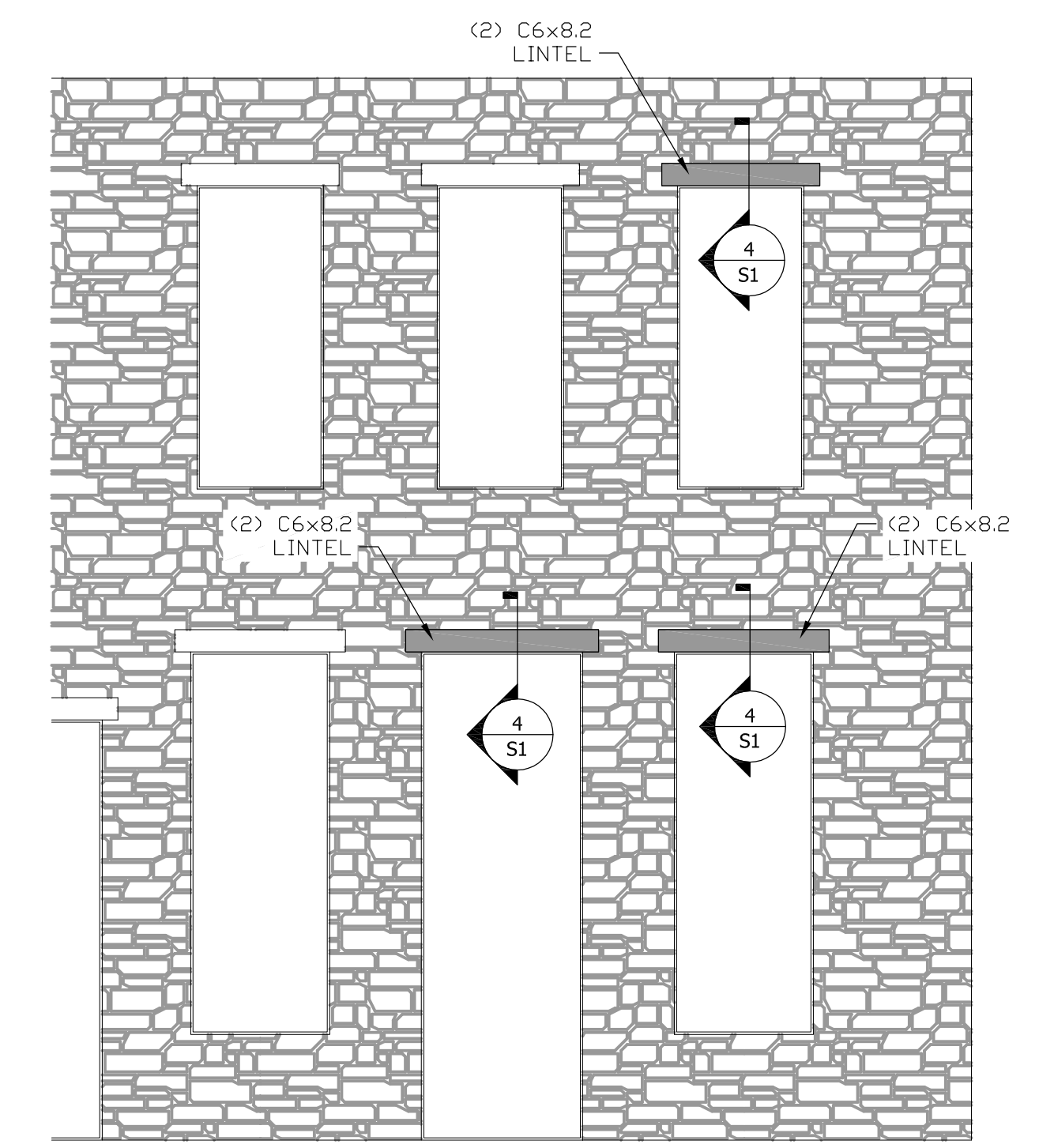


GENERAL NOTES:

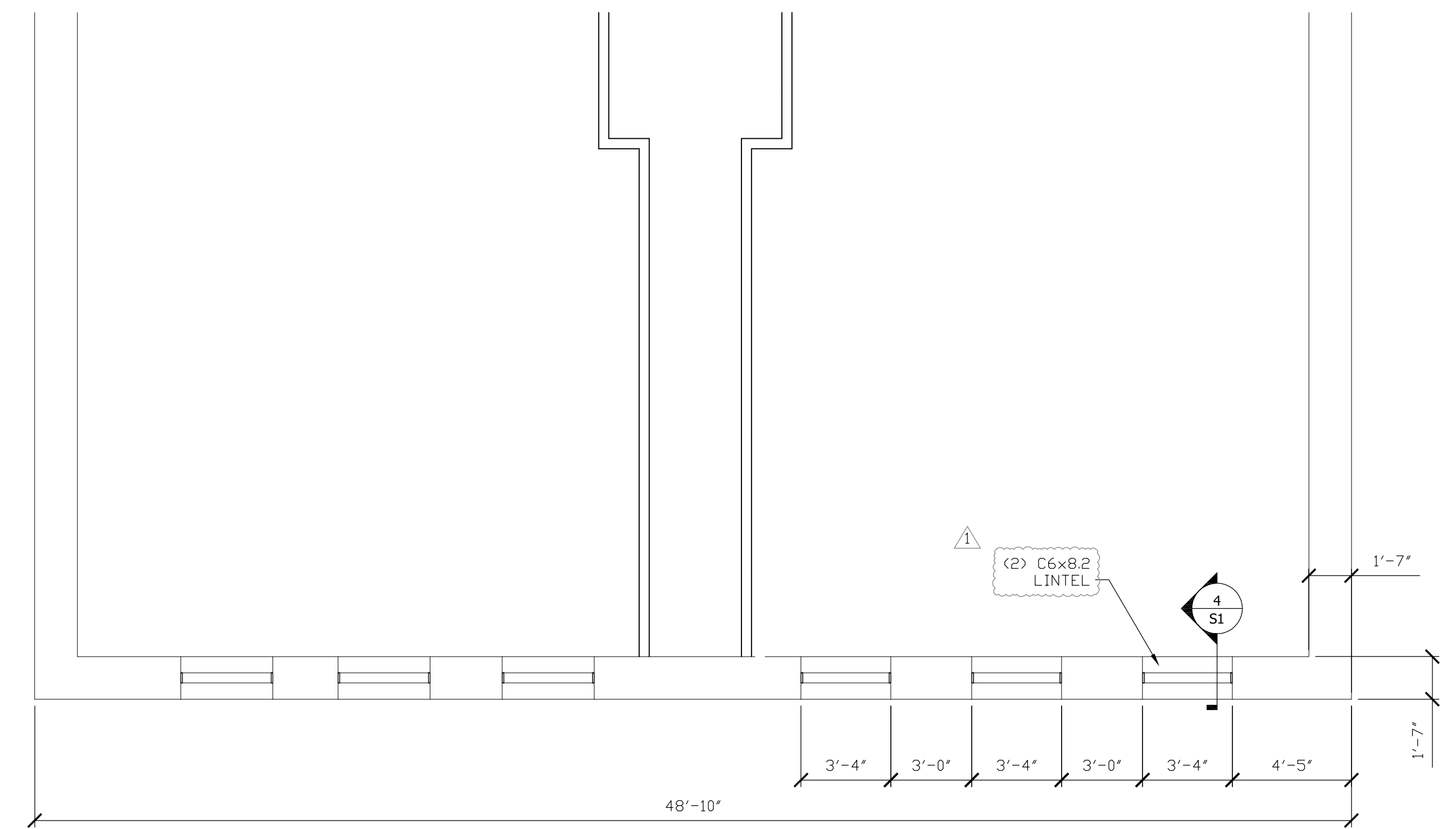
1. CONTRACTOR SHALL NOTIFY ENGINEER OF ANY CHANGE OF FIELD CONDITIONS PRIOR TO CONSTRUCTION.
2. ALL STRUCTURAL STEEL SHALL BE 36 KSI ASTM A36 UNLESS OTHERWISE NOTED.
3. WELDED CONNECTIONS: AWS STANDARDS AND SPECIFICATIONS USING E70XX ELECTRODES, UNLESS NOTED OTHERWISE.
4. STEEL PRIMER PAINT - FABRICATOR'S STANDARD RUST-INHIBITING PRIMER
5. CONTRACTOR TO VERIFY ALL EXISTING CONDITIONS AND VERIFY ALL DIMENSIONS ON SITE PRIOR TO CONSTRUCTION. CONTACT ENGINEER IMMEDIATELY WITH ANY DISCREPANCIES.
6. ALL STRUCTURAL STEEL WORK SHALL CONFORM TO THE FOLLOWING REQUIREMENTS:
 - a. AISC "SPECIFICATIONS FOR DESIGN, FABRICATION, AND ERECTION OF STRUCTURAL STEEL FOR BUILDINGS"
 - b. AISC "CODE OF STANDARD PRACTICE FOR STEEL BUILDINGS AND BRIDGES"
 - c. ACI 301 "SPECIFICATIONS FOR STRUCTURAL CONCRETE FOR BUILDINGS"
 - d. AWS D11 "STRUCTURAL WELDING CODE - STEEL"



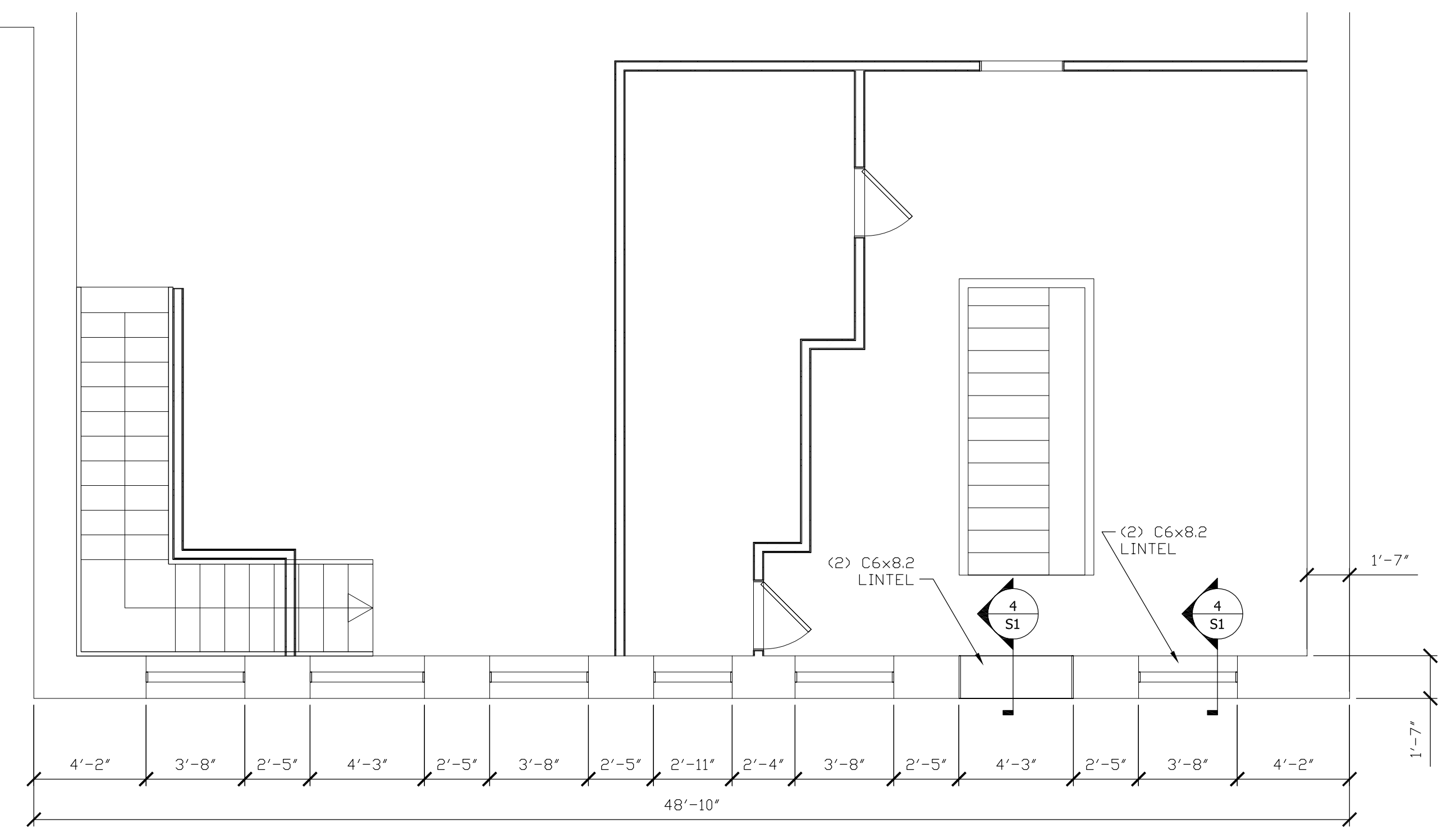
4 Lintel Detail
Scale: 1 1/2" = 1'-0"



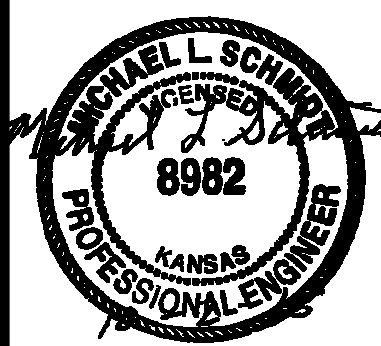
3 West Elevation
Scale: 1/4" = 1'-0"



2 Upper Level Plan
Scale: 1/4" = 1'-0"



1 Main Level Plan
Scale: 1/4" = 1'-0"



Ben Moore Studio, LLC
Architecture • Planning

1501 H Avenue
Council Grove, KS 66846
785-477-3379
ben@benmoorestudio.com

SCHMIDT Engineering Consultants, Inc.
1000 West 23rd Street, Suite 200, Topeka, KS 66604
785-242-2222

TECH SERVICES, LLC
166 N 110th Street
Camerondale, Kansas 66414
785-249-3884

IRON CLAD LLC
New Lintels and Pointing
427 Lincoln Wamego, KS 66547

contractor shall check & verify all dimensions & conditions of the job site

date: Oct 2, 2015

REVISION:
 ▲ Lintel Notation
 2/S1 Upper Level
 Plan 10/02

title: Structural - Lintels

sheet: **S1**
of 1

project: 15-33